



SIA "INKOMERCS K"
Katlakalna str. 1, Rīga, Latvia

WEBSITE:
inkomerck.lv

E-MAIL:
info@inkomerck.lv

SALES DEPARTMENT:
(+371) 27 044 911
(+371) 26 537 804

- ✓ Years of Experience
- ✓ Trusted Service
- ✓ Good Prices
- ✓ Quality Equipment

**WE TURN IDEAS
INTO VALUE**

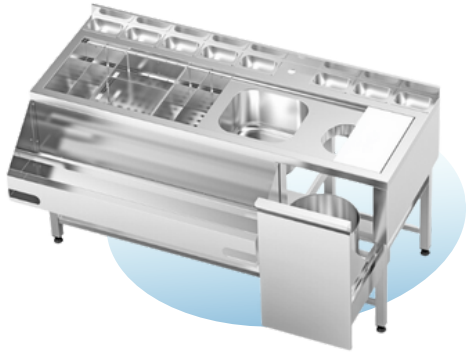


**BARTENDER'S
WORKSPACE**

Bartender station

BS - 1.6 - 2

1600 x 600 x 850 mm



- Pull-Out Stainless Steel Bin Reinforced Shelf with crossarms 8 GN 1/9 Containers for sliced fruits
- Prep Desk with movable board above the bin
- Sink with Mixer Hole
- Adjustable Compartments for juice packages and different ice types
- 50mm Volumetric Backsplash
- 40x40mm Pipe Frame
- 1mm Thick Stainless Steel for durability under heavy use
- Insulated Bottom Layer to prevent ice melting

Bar table

BNM / BNM (S)

400/600/800 x 600 x 850 mm



- 50mm Volumetric Backsplash
- 40x40mm Pipe Legs
- Additional Shelf

*Prices shown are for the standard configuration and the most affordable option.

Bar station organiser

BSM / BSM (S)

1000 x 600 x 850 mm



- Adjustable Compartments for juice packages
- Adjustable Compartments for different types of ice
- Integrated Speed Rack for bottles
- Reinforced Lower Shelf with traverse support
- 50mm Volumetric Backsplash
- 40x40mm Pipe Frame
- Thermal Insulation Layer at the bottom to prevent ice melting

Bottle shelf

SLB - 3

400/500 x 600 x 850



- Additional Bottle Storage Rack: Ideal when bar station's speed rack capacity is insufficient.
- 3-Compartment Bottle Shelf (305x120 mm)
- 40x40mm Pipe Stand
- Adjustable Screw Supports for stability

Base for beer tap

BBM

800/1000/1200 x 600 x 850 mm



- Fluid Reservoir with Drain Fitting
- Removable Spill-Stop
- 50mm Volumetric Backsplash
- 40x40mm Pipe Legs

Bar sink

CSM / CSM(S)

400 x 600 x 850 mm



- Tap Hole
- 40x40mm Pipe Frame

SCAN THE QR CODE

Get detailed information about products and pricing at your convenience.



Preparatory table with sink

CSTM

400 x 600 x 850 mm



- Sliding Plastic Cutting Board
- Sink with Mixer Hole
- Retractable Stainless Steel Bin
- 40x40mm Pipe Frame

Table for espresso machine

CMB

800/1000/1100/1200/1300/1400/1500 x 600 x 850 mm



- Knock Box Drawer with removable tray 50mm
- Backsplash for spill protection
- Bottom Shelf for extra storage Height-Adjustable
- Supports for stability on uneven surfaces

*Prices shown are for the standard configuration and the most affordable option.

Preparatory table without sink

TM

400 x 600 x 850 mm



- Sliding Plastic Cutting Board
- Waste Collection Hole above bin
- Retractable Stainless Steel Bin
- 40x40mm Pipe Frame

Dishwasher table for baskets

BM - 2

700 x 600 x 850 mm



- Two Shelves with Removable Trays - ideal for organizing baskets with ease of access 40x40mm Pipe Frame
- Sturdy frame construction ensures durability and stability

Fresh juice station

FS

600/800 x 600 x 850 mm



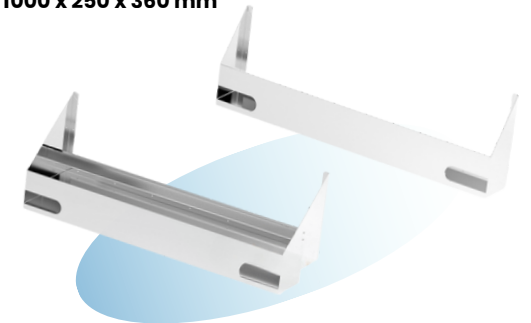
- Includes retractable perforated fruit drawers.
- Height-Adjustable Screw Supports for customizable stability

Bottle rack

DSR Double Row **SR** Single Row

1000 x 125 x 310 mm

1000 x 250 x 360 mm



- A hinged element at cocktail stations, designed to hold bottles for quick and easy access during service

SCAN THE QR CODE

Get detailed information about products and pricing at your convenience.



Bartender station

BS - 1.6.3 (07) pack 1

1600 x 500/700 x 900 mm

- Insulated compartment for ice and drinks/juices.
- Partitions with plastic clamps, allowing placement of gastronorm containers on top.
- Tip-up waste container with trap door.
- Built-in glass rinser (pincher) and plastic board.
- GN-1/1 sink (530x325mm), compatible with gastronorm containers.
- Central bottle bar for organized storage.
- Speed rack with ergonomic edges for easy debris removal.
- Bottom shelf for additional storage



Bartender station

BS - 1.6.3 (07) pack 2

1600 x 500/700 x 900 mm

- Large insulated compartment for storing ice and drinks/juices.
- Partition system with plastic clamps, adaptable for gastronorm containers.
- Movable waste container with trap door for easy disposal.
- Integrated glass rinser (pincher) and plastic cutting board.
- Large GN-1/1 sink (530x325mm), compatible with gastronorm containers.
- Central bottle bar with an extra shelf.
- Double speed rack for bottles, with ergonomic edges for easy debris removal.
- Bottom shelf and hinged doors for added storage



Bartender station

BS - 1.6.3 (07) pack 3

1600 x 500/700 x 900 mm

- Large insulated compartment for ice and beverages.
- Adjustable partitions with plastic clamps, compatible with gastronorm containers.
- Movable waste container with a trap door for easy disposal.
- Built-in glass rinser and plastic cutting board.
- Large GN-1/1 sink (530x325mm) for efficient washing.
- Central bottle bar with an additional shelf.
- Double speed racks with ergonomic edges for debris removal.
- Two drawers for extra storage.



*Prices shown are for the standard configuration and the most affordable option.

